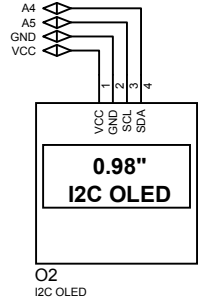
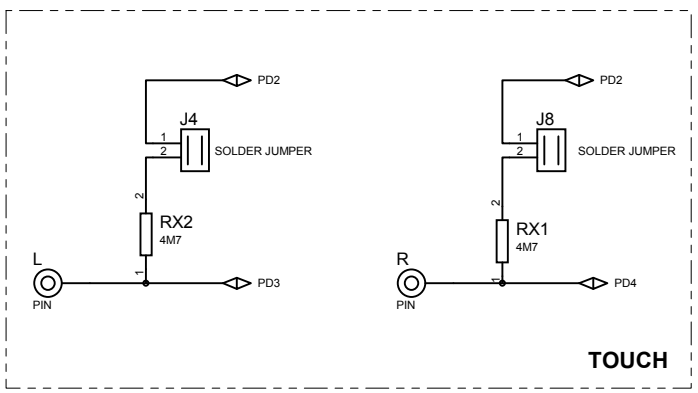
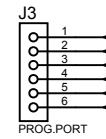
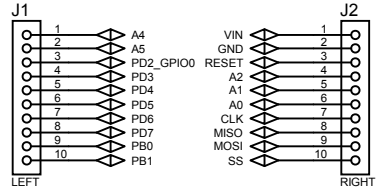


SPI SRAM can be replaced with SPI FRAM (pin compatible) for non volatile ferroelectric memory



- PD2 (not exported due to limited space) dedicated to touch interface
- PD3 LEFT TOUCH Plate (remove solder jumper if touch not needed and you want to use port as I/O)
- PD4 RIGHT TOUCH Plate (remove solder jumper if touch not needed and you want to use port as I/O)
- * PD5 USED BY SD EXPANSION BOARD
- PD6 SERIAL RX Used as serial channel between 328p and ESP8266
- PD7 SERIAL TX Used as serial channel between 328p and ESP8266
- PB0 CS for SPI RAM
- A3 (not exported due to limited space) dedicated as WIFI powerdown



PICCOLINO v1.0		
Designed by Alex Sardo		
Copyright (c) 2015 World Class Technologies		
SHEET 1	MARCH 2015	REV 5